

# McCULLOCH

## Super Pro 40

Bar nose specially hardened with space age steel and heat treated for maximum life.

Speed Mac 250 chain — our smoothest cutting small chain.

40 to 1 McCulloch fuel mix burns cleaner for more power and economy.

Now with Chain Brake the professional safety feature that stops moving chain in milliseconds to reduce the hazard from kick back.

Automatic oiler pumps exact amount of oil to bar and chain as you cut. Assures proper lubrication for longer life.

Cushion power anti-vibration system reduces vibration and fatigue.

Extra thick chrome cylinder delivers increased horsepower, dissipates heat fast and resists wear.

Our most powerful small saw. 2.3 cubic inches (38 cc.) outperforms many heavier, larger displacement saws.

Special patented "Reed" muffler for maximum noise reduction.

Spark plug recessed at base of handle: shockproof, won't snag on branches.

Roller and needle "anti-friction" bearings add extra life, deliver more power

High-density air filter is simple to remove and clean.

Automatic clutch disengages at idle speeds.

All position carburetor operates at all cutting angles.

4" bar cuts logs up to 28"

Automatic rewind starter.

87 11 58

Telf. (02) 87 06 54

BOYS BV  
Telf. (02) 95 73 72

# Super Pro 40

## THE "SUPER" SUPER LIGHTWEIGHT

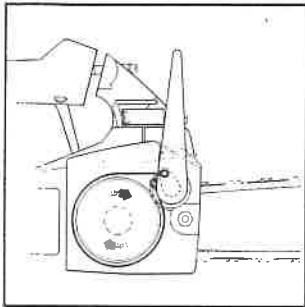
- Our most powerful super lightweight
- Tough 2.3 cu. in. engine zips through a 6" log in seconds
- Exclusive Cushioned Power anti-vibration system reduces fatigue caused by engine and cutting vibration.
- New chain brake reduces the hazard from kickback.
- Super quiet "reed" muffler

Super Pro 40 has all the features you'll ever want in a chainsaw yet still weighs less than ten pounds complete with 14" bar and chain. Its Super Pro engine puts out more power per cubic inch displacement than any saw in our line, so it out-cuts many heavier competitive saws with larger engines.

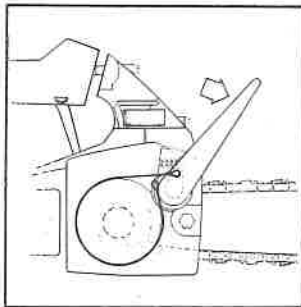
But the only way you can truly appreciate what a superbly engineered saw the Super Pro 40 is, is to cut with it yourself. Ask your dealer for a demonstration.

## McCULLOCH CHAIN BRAKE

Chain Brake — the safety feature you've had to pay extra for, is now standard equipment on every McCulloch chain saw. Chain brake stops moving chain in milliseconds — faster than a human can react — to reduce the hazard from kickback.



Chain Brake in normal position, chain running



Chain Brake engaged Chain stopped in milliseconds

## McCULLOCH CUSTOM LUBRICANT

A significant breakthrough in 2-cycle engine lubricants. It mixes with gasoline 3 times easier than conventional SAE 30 wt. oils at all temperatures, even down to -60 F. Yet it does an excellent job of lubricating, use it at 40 to 1 gas/oil ratio. It features superior scruff-resistance, minimizes carbon deposits, rust and wear under all operating conditions. Best for chain saws, outboards, snowmobiles, motorcycles, lawn mowers and industrial use. And it's approved by the Boating Industry Association — meets or exceeds all of their standards.



## McCULLOCH CHAIN, BAR & SPROCKET OIL

Special anti-wear formula can give up to double chain life. Special "MOLY" additive gives extra lubrication protection during critical first seconds of cutting. Extra "tackiness" makes oil cling to chain at high speeds for better lubrication, less waste. Also contains new "anti-gum" additive to keep cutting fast and smooth even in green, sappy wood.



## FEATURES AND SPECIFICATIONS:

	SUPER PRO 40
Weight	9.5 lbs. (4.3 kg.)
Guide Bar	14"
Overall Dimensions (outside frame)	13"L x 9 3/4"W x 8 1/2"H (330 x 248 x 216mm)
Muffler	"Reed" type Sound Silencer
Easy Starting	Automatic rewind with nylon rope
Bar/Chain Oiling	Automatic
Displacement	2.3 cu. in. (38cc)
Carburetor	Diaphragm type with choke. Fully enclosed with external adjustments
Fuel Type	Regular grade automotive
Fuel Mix	40:1 with McCulloch Custom Lubricant
Clutch	Automatic Centrifugal
Ignition	McCulloch high tension magneto
Chain	McCulloch SM250G
Sprocket	8 tooth .250" pitch (6.35mm)

Features & Specifications subject to change without notice or obligation.

## ACCESSORIES:

Spark Arrester Screen for Muffler. Part No. 85933.



Rugged two walled Carrying Case P/N 91754 (16" bar maximum)

Chain Maintenance Tool Kit. Part No. 90958.

All the tools you need to keep your chain cutting like new. Contains file guide, flat file, depth gauge, srench and file handle.



Bar and Chain Guard. Part No. 83124. Protects like the sheath on a hunting knife.



**McCULLOCH**  
CORPORATION

Los Angeles, California 90066 • Malton, Ontario, Canada  
Mechelen, Belgium • Singapore • Seven Hills, N.S.W., Australia • São Paulo, Brazil